

Direct Vent Gas Fireplaces





Shown with MIRRO-FLAME® Porcelain Reflective Radiant Panels.



Optional 2" Trim Kit.



Optional Contemporary decorative front.

CB30

Luxurious Warmth for Small Spaces

The CB36 is the smallest option in the CB series and is a great choice when space is limited. With up to 15,000 BTU's and Continental's exclusive PHAZER® glowing log set, it provides plenty of cozy heat.

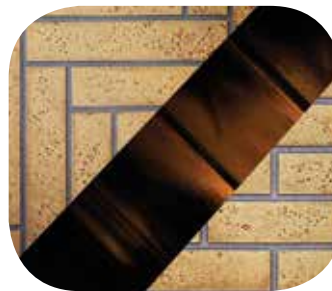


Shown with the optional Contemporary front and Sandstone decorative brick panels.

CB35

Elegance Meets Functionality

With a clean face that maximizes the viewing area, the realistic flames and hand painted PHAZER® log set will be enjoyed to the fullest. The CB35 has plenty of options to match any decor. Equipped with advanced burner technology the CB35 is small but mighty at 20,000 BTU's.



Optional decorative brick panels include Sandstone, Herringbone and MIRRO-FLAME™ Porcelain Reflective Radiant Panels.



Optional 2" Trim Kit.



Shown with MIRRO-FLAME® Porcelain Reflective Radiant Panels.

CB36

Comfortable Warmth

This unit is so versatile that it can be installed almost anywhere! The shallow depth, at less than 16" deep, allows for versatile installations where space is at a premium and is also ideal for corner applications. The clean face design of the CB36 maximizes the viewing area and ensures all the fine details of the hand painted PHAZER® log set and realistic flames are enjoyed by all who bask in its' glow.



Optional 2" Trim Kit and Contemporary decorative front.



MIRRO-FLAME® Porcelain Reflective Radiant Panels.



Shown with Contemporary decorative front and Sandstone decorative brick panels.



Optional 2" Trim Kit and Contemporary decorative front.



Optional decorative brick panels include Sandstone, and MIRRO-FLAME[™] Porcelain Reflective Radiant Panels.

CX36 Modern Clean Face

Continental's CX36 enhances the ambiance in any room with the industry's most realistic, exclusive PHAZER[™] log set and glowing ember bed. With select designer options the CX36 allows you to match your current home decor or create a beautiful focus point in any room. Up to 26,000 BTU's.

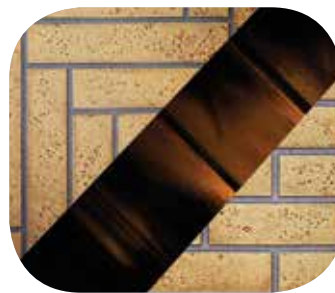


Shown with 2" trim kit in painted black.

CB42

Impressive View

Continental's 42" fireplace has up to 25,000 BTU's. With this large of a firebox the CB42 is the perfect addition to rooms where an aesthetically pleasing look and feel is wanted, but plenty of cozy heat is required. With a multitude of designer options the CB42 can virtually create any desired look for the room of your choosing.



Optional decorative brick panels include Sandstone, Herringbone and MIRRO-FLAME[™] Porcelain Reflective Radiant Panels.



Optional Contemporary decorative front.



CBHD4ST shown with exclusive PHAZER® glowing log set.



Exclusive Topaz CRYSTALINE™ ember bed comes standard with the CBHD4STG model..



PHAZER® log set comes standard with the CBHD4ST models.

CBHD4ST - Multi-View Design Series

The CBHD4 See Thru direct vent fireplace features two different firebox/burner options, a log burner (CBHD4ST) & a linear topaz glass burner (CBHD4STG). The CBHD4 features 30,000 BTU's, a massive 2,023 sq. in. viewing area and electronic ignition with battery back-up. Optional designer fire art, media enhancement kits and decorative panels are available to match any room in your home.



CBHD4PG glass burner shown with standard Topaz CRYSTALINE™ ember bed.



Exclusive Topaz CRYSTALINE™ ember bed come standard with the CBHD4PG models.



PHAZER® log set ember bed come standard with the CBHD4P models.

CBHD4P - Multi-View Design Series

The CBHD4P peninsula direct vent fireplace features two different firebox/burner options, a log burner (CBHD4P) & a linear topaz glass burner (CBHD4PG). The CBHD4 features 30,000 BTU's, a massive 2,484 sq. in. viewing area and electronic ignition with battery back-up. Optional designer fire art, media enhancement kits and decorative panels are available to match any room in your home.



Shown with optional luxurious diamond dust convex surround and LED spectrum light strip set on blue.

BCDV36CFG

Sparkling Fires

It's crystal clear. A clean face design with an exclusive CRYSTALINE™ glass ember bed embraces Continental's collection of contemporary fireplaces. Standard with MIRRO-FLAME™ Porcelain Reflective Radiant Panels and a multi-function LED spectrum light strip, this fireplace provides inspiration to create a hearth experience that focuses on warmth, beauty and style.



Designer convex surround available in luxurious Diamond Dust finish.



The LED spectrum light strip transitions through an array of colors based on an RGB color spectrum (sample of the multitude of colors, the entire bed will be the same color).

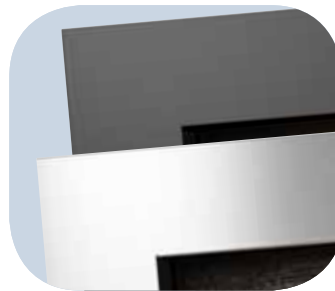
* Surrounds measure 38" high and 42" wide and require modified fireplace clearances (see installation manual)



Shown with contemporary rectangular surround in painted black finish.

CWHD31 Wall Hanging Elegance

A modern gas fireplace that hangs on your wall. Ideal for modern and contemporary rooms, Continental's CWHD31 features easy installation plus all of the conveniences of a gas fireplace. Virtually endless installation possibilities, it's almost as easy as hanging a picture on the wall.



Contemporary rectangular surrounds available in painted black and brushed stainless steel finishes.



Exclusive slate brick panels come standard.



Shown with painted black four-sided frame and MIRRO-FLAME™ Porcelain Reflective Radiant Panels.



River rock media tray with satin chrome decorative fender complete with sand, easily switches out existing log set for a more contemporary look.



Optional decorative brick panels include Sandstone and MIRRO-FLAME™ Porcelain Reflective Radiant Panels.

CHD35 35" High Definition

The simple yet sophisticated style of Continental's CHD35 fireplace provides every comfort you need to create a relaxing environment. The clean face design maximizes the glass area so the realistic flames and log set are enjoyed to their fullest. With up to 25,000 BTU's, the CHD35 generates plenty of cozy heat and can easily turn down to a lower, comfortable setting.



Shown with painted black four-sided frame and MIRRO-FLAME[™] Porcelain Reflective Radiant Panels.

CHD40

40" High Definition

This mid-sized fireplace gives you all the great features of the CHD35 plus offers a wider 40" firebox width with 27,000 BTU's. Two distinct design choices - either a traditional PHAZER[™] log set which comes standard with the unit or the optional river rock media tray with satin chrome decorative fender that gives you a more contemporary fireplace experience.



River rock media tray with satin chrome decorative fender complete with sand, easily switches out existing log set for a more contemporary look.



Optional decorative brick panels include Sandstone and MIRRO-FLAME[™] Porcelain Reflective Radiant Panels.



Shown with Newport® deluxe decorative brick panels.



Optional decorative brick panels include Sandstone and MIRRO-FLAME™ Porcelain Reflective Radiant Panels.



Exclusive NIGHT LIGHT™ radiates a warm glow to the room even when the fireplace is off.

CHDX40

State-of-the-Art Technology

Inspired by traditional masonry details and created with Continental's state-of-the-art gas fireplace technology, the deluxe CHDX40-1 offers the ultimate in performance and design. With 40,000 BTU's the flames will certainly impress any visitor. The clean face front allows a full view of the impressive 40" wide firebox with your choice of either fine detailed PHAZER® logs and charcoal embers or a river rock ember bed. A perfect investment for your lifestyle and your home.



Shown with painted black four-sided frame and MIRRO-FLAME[®] Porcelain Reflective Radiant Panels.

CHD46

46" High Definition

The largest in the CHD series and offering up to 30,000 BTU's, the CHD46 provides a substantial focal point for any room. The impressive 46" wide firebox is completely filled with a realistic PHAZER[®] log set that is rich in color and detail. As with the other CHD fireplaces, you can choose the optional river rock media tray with satin chrome decorative fender to create a dramatic contemporary design element in your home.



River rock media tray with satin chrome decorative fender complete with sand, easily switches out existing logs for a more contemporary look.



Optional decorative brick panels include Sandstone and MIRRO-FLAME[®] Porcelain Reflective Radiant Panels original or ribbed.



Shown with optional premium brushed stainless steel surround and MIRRO-FLAME® Porcelain Reflective Radiant Panels.



Optional river rock media kits for a natural contemporary setting are available in grey or multi-colored finishes.



Optional deluxe surrounds available in painted gloss black and painted gloss white finishes. Optional basic surround available in painted flat black finish and optional premium surround available in brushed stainless steel finish.

CLHD45 Modern, Linear Design

The CLHD45 provides a modern, linear design at an affordable price that pleases both new building and renovation budgets. With unique design options (colored glass and river rock media enhancement kit) & accessories the CLHD45 captures an extraordinary fireplace experience in any room. Perfect for contemporary and open concept rooms.

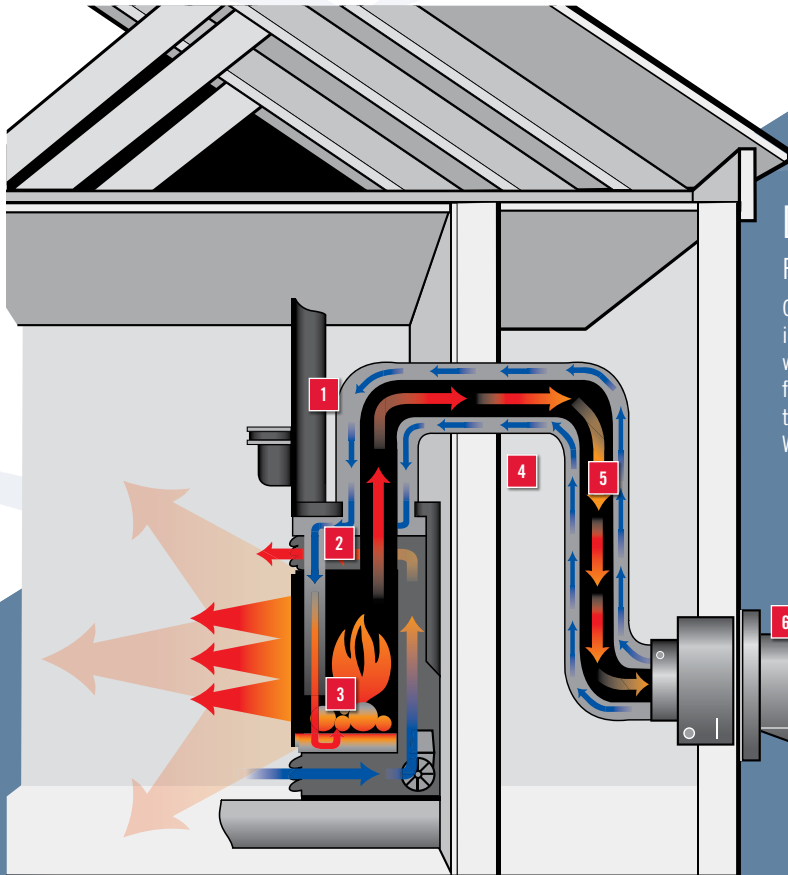
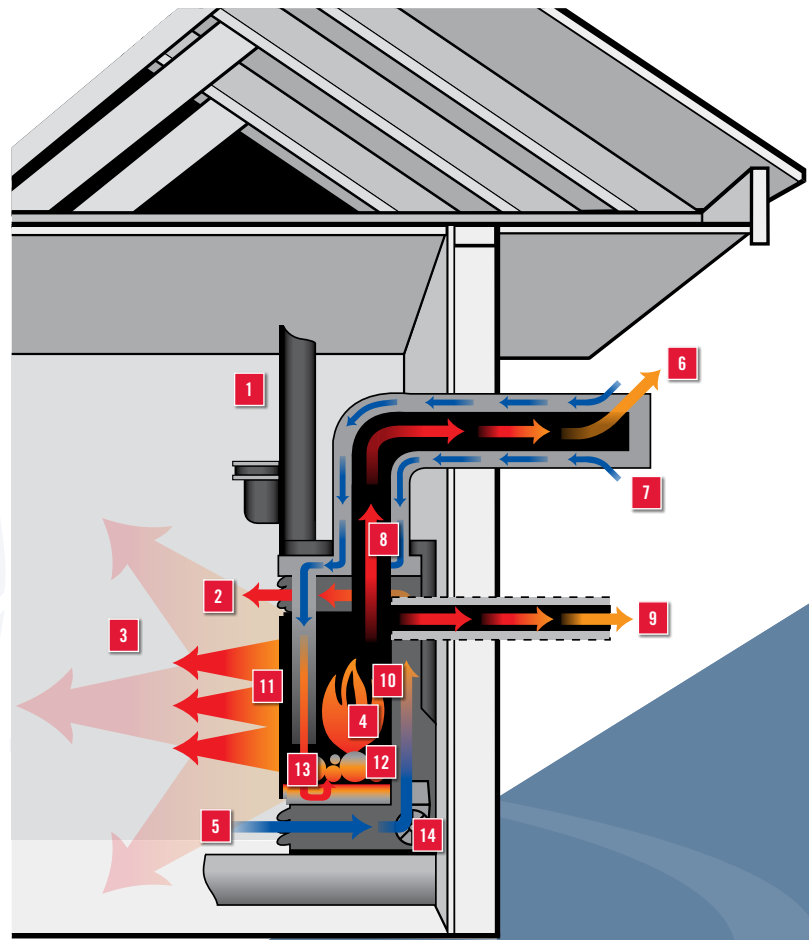
Direct Vent System

With over 35 years of research and development, Continental® Fireplaces have perfected direct vent technology to offer you a fireplace, stove or insert that easily fits into your lifestyle.

With Continental's direct vent technology, you can design and install your fireplace in unique locations where it wasn't possible before with traditional masonry fireplaces. Even your basement can be transformed into a warm, inviting oasis for your family and friends to enjoy.

Whether you are renovating, building or replacing an inefficient fireplace product, Continental® helps guide you in the right direction to find the product that's right for you and your home. Continental® Fireplaces are a smart investment that will bring many years of affordable luxury to you and your family.

- 1 Framing**
Zero clearance to combustible framing.
- 2 Heated Air**
Forced convection heated room air.
- 3 Radiant Heat**
- 4 Burner**
Advanced burner technology produces the most realistic flames in the industry.
- 5 Heat Exchanger**
Cool room air is naturally drawn into the heat exchange chamber.
- 6 Flue Gas Outlet**
- 7 Combustion Air Inlet**
- 8 Heat Exchange**
Efficient heat exchange system.
- 9 Optional Rear Exhaust**
(Selected models)
- 10 Sealed Combustion Chamber**
- 11 Glass**
High heat ceramic or tempered glass increases the radiant heat that is dispersed throughout the room. Save up to 30% on energy costs with radiant heat and Zone Heating.
- 12 Panels**
MIRRO-FLAME® Porcelain Reflective Radiant Panels further increases radiant heat. (Optional on selected models)
- 13 Advanced Ceramic Burner System**
(Selected models)
- 14 Blower**
Optional air circulating variable speed blower with high temperature bearings increases efficient heating.



Direct Vent Power Venting System Freedom and Versatility

Continental's power venting system allows more freedom and versatility for direct vent installations. The option of having the termination above or below the fireplace, along with the ability to "snake" either up or down, allows installation when the desired fireplace location is a great distance away from an outside wall. The blower that pulls the burned gases from the fireplace is mounted outside at the terminal which provides WHISPER QUIET® operation inside the home.

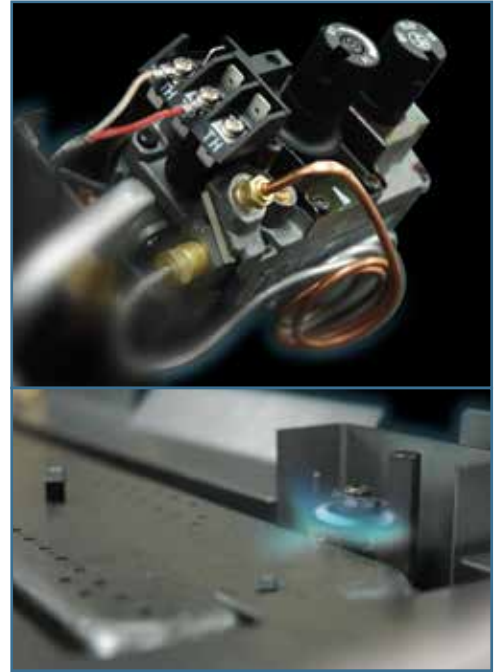
- 1 Exhaust**
Suitable for exhaust products with various vent diameters.
- 2 Adjustments**
Adjustments inside fireplace only.
- 3 Durability**
Installation friendly, maintenance free construction.
- 4 Versatility**
Ability to "snake" either up, down or around objects (ie; behind stairways).
- 5 Simplicity**
No hoses to blower.
- 6 Blower**
Blower mounted outside at terminal with WHISPER QUIET® operation.
- 7 Freedom**
Terminates above or below the fireplace to allow more freedom and versatility for direct vent installations.

Outstanding Features of Continental's Advanced Technology



Advanced Burner Technology

Continental's sophisticated burner system offers superior flame technology. Strategically placed burner ports create the most realistic flames in the industry.



Finely Tuned Precision Valves

Surrounded with a protective cast aluminum jacket, the precision valves allow for ultimate reliability and 100% SAFE GUARD™ gas control system.



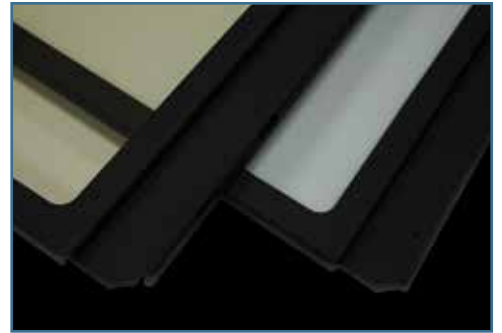
True Masonry Details

Continental's ceramic fiber brick panels with true masonry texture and details help transfer additional heat, radiating out from the firebox.



Outstanding Craftsmanship

Fine details are designed in every aspect of Continental® fireplaces... individually handcrafted with pride of excellence.



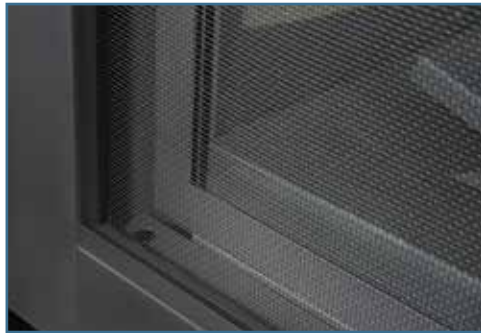
Superior Heat Resistant Glass

Ceramic and tempered glass are made to withstand high temperatures, allowing maximum radiant heat, performance and safety.



WHISPER QUIET™ Heat Circulating Blower System

The extreme heat resistant "H" class bearings featured in Continental's superior heat circulating blower, creates a lasting "whole home" comfort with adjustable high and low speeds.



Safety Screens

Safety screens comes standard on all Continental Fireplaces to protect children, pets and visitors against inadvertent contact with glass. Glass and unit temperature can get very hot.



Convenient Remote Controls

Remote controls with digital read out and modulating control give you the comfort level you need at the touch of a button.



CB30

Features & Benefits

- 608 sq. in. glass area
- Fuel saving electronic ignition comes standard
- Exclusive PHAZER™ log set and glowing ember bed
- Pan Style Burner
- Flex connector complete with shut off
- Optional MIRRO-FLAME™ Porcelain Reflective Radiant Panels
- On/off or thermostatic remote controls available
- Optional two inch trim kit
- Approved for bedrooms, bathrooms, bed sitting rooms and mobile homes
- Available in natural gas or propane (LP)

	CB30
BTU's (Input)	15,000
Venting	Top or Rear 4" & 7"
Glass Type	Tempered
Glass Size	
Height	23 11/16"
Width	25 11/16"
Efficiencies	
EnerGuide	68.9%
AFUE	72.5%
Steady State	-
Mobile Home Certified	Yes

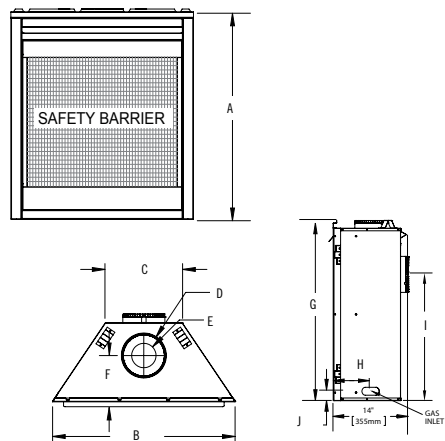


CB35

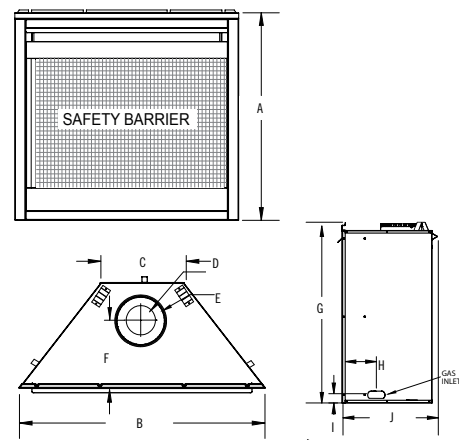
Features & Benefits

- 727 sq. in. glass area
- Fuel saving electronic ignition comes standard
- Exclusive PHAZER™ log set and glowing ember bed
- Pan Style Burner
- Flex connector complete with shut off
- Optional Sandstone brick panels, Herringbone brick panels or MIRRO-FLAME™ Porcelain Reflective Radiant Panels
- On/off or thermostatic remote controls available
- Optional contemporary decorative front
- Optional two inch trim kit
- Approved for bedrooms, bathrooms, bed sitting rooms and mobile homes
- Available in natural gas or propane (LP)

	CB35
BTU's (Input)	20,000
Venting	Top 5" & 8"
Glass Type	Tempered
Glass Size	
Height	23 11/16"
Width	30 11/16"
Efficiencies	
EnerGuide	56.4%
AFUE	63.5%
Steady State	-
Mobile Home Certified	Yes



	A	B	C	D	E	F	G	H	I	J	K
CB30	34 1/2"	30"	12 3/4"	7" DIA.	4" DIA.	8 3/8"	34 1/2"	6 1/2"	24 3/4"	1 1/2"	14"



	A	B	C	D	E	F	G	H	I	J
CB35	34 1/2"	35"	11 1/2"	5" DIA.	8" DIA."	11 1/2"	34 1/2"	7 3/4"	1 1/2"	18 1/2"

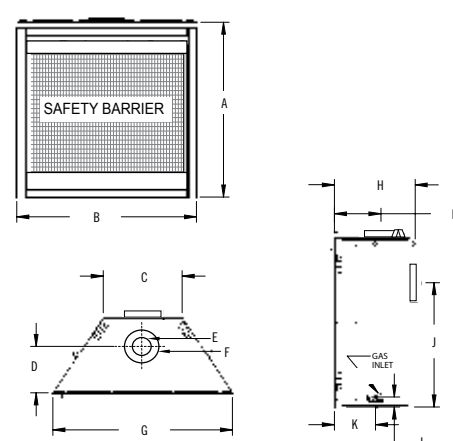


CB36

Features & Benefits

- 727 sq. in. glass area
- Fuel saving electronic ignition comes standard
- Exclusive PHAZER™ log set and glowing ember bed
- Pan Style Burner
- Flex connector complete with shut off
- Optional MIRRO-FLAME™ Porcelain Reflective Radiant Panels
- On/off or thermostatic remote controls available
- Optional contemporary decorative front
- Optional two inch trim kit
- Approved for bedrooms, bathrooms, bed sitting rooms and mobile homes
- Available in natural gas or propane (LP)

	CB36
BTU's (Input)	18,000
Venting	Top or Rear 4" & 7"
Glass Type	Tempered
Glass Size	
Height	23 11/16"
Width	30 11/16"
Efficiencies	
EnerGuide	74.5%
AFUE	76.3%
Steady State	-
Mobile Home Certified	Yes



	A	B	C	D	E	F	G	H	I	J	K	L
CB36	34 1/2"	35"	15 3/8"	9 1/2"	4" DIA.	7" DIA."	35"	15 3/8"	9 1/2"	24"	8"	1 1/2"

*Vent free not approved in Canada and some States. Figures may vary with individual conditions such as floor plan layout, insulation value/heat loss of the house and geographical location. Consult your owner's manual for complete and up-to-date installation instructions and proper clearances to combustible materials.



CX36

Features & Benefits

- 727 sq. in. glass area
- Fuel saving electronic ignition comes standard
- Exclusive PHAZER™ log set and glowing ember bed
- Pan Style Burner
- Flex connector complete with shut off
- Optional Sandstone brick panels or MIRRO-FLAME™ Porcelain Reflective Radiant Panels
- On/off or thermostatic remote controls available
- Optional contemporary decorative front
- Optional two inch trim kit
- Approved for bedrooms, bathrooms, bed sitting rooms and mobile homes
- Available in natural gas or propane (LP)

	CX36
BTU's (Input)	26,000
Venting	Top or Rear 4" & 7"
Glass Type	Ceramic
Glass Size	
Height	23 11/16"
Width	30 11/16"
Efficiencies	
EnerGuide	70.1%
AFUE	73.8%
Steady State	-
Mobile Home Certified	Yes

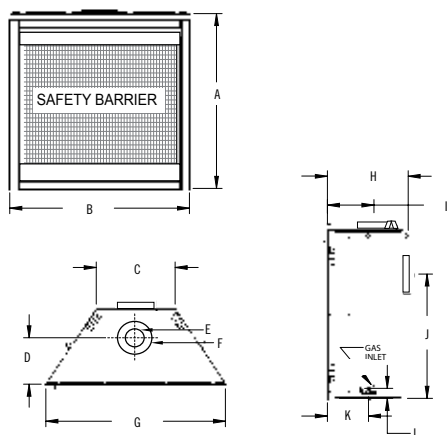


CB42

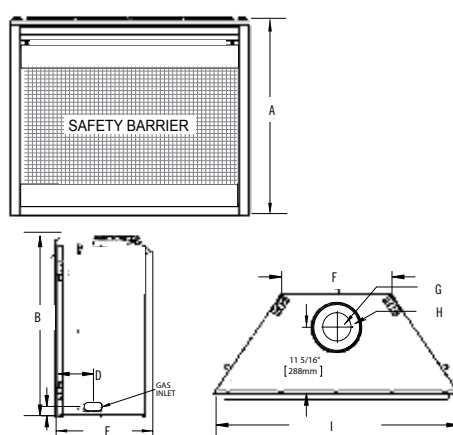
Features & Benefits

- 893 sq. in. glass area
- Fuel saving electronic ignition comes standard
- Exclusive PHAZER™ log set and glowing ember bed
- Pan Style Burner
- Flex connector complete with shut off
- Optional Sandstone brick panels, Herringbone brick panels or MIRRO-FLAME™ Porcelain Reflective Radiant Panels
- On/off or thermostatic remote controls available
- Optional contemporary decorative front
- Optional two inch trim kit
- Approved for bedrooms, bathrooms, bed sitting rooms and mobile homes
- Available in natural gas or propane (LP)

	CB42
BTU's (Input)	25,000
Venting	Top 5" & 8"
Glass Type	Tempered
Glass Size	
Height	23 11/16"
Width	37 11/16"
Efficiencies	
EnerGuide	62.5%
AFUE	65%
Steady State	-
Mobile Home Certified	Yes



	A	B	C	D	E	F	G	H	I	J	K	L
CX36	34 1/8"	35"	15 3/4"	9 1/8"	4" DIA.	7" DIA.	35"	15 3/4"	9 1/8"	24"	8"	1 1/8"



	A	B	C	D	E	F	G	H	I
CB42	34 1/8"	34 3/4"	1 1/8"	7 7/8"	18 1/8"	18 1/4"	5" DIA.	8" DIA.	42"

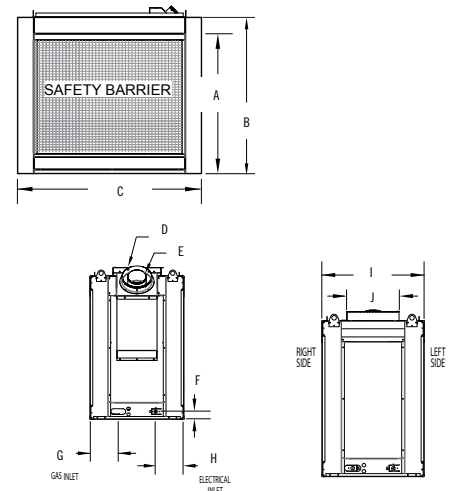


CBHD4ST

Features & Benefits

- 2,023 sq. in. glass area
- Fuel saving electronic ignition with battery backup
- Choice between PHAZER™ glowing logset or exclusive topaz glass ember bed
- Optional Newport™ panels or MIRRO-FLAME™ Porcelain Reflective Radiant Panels
- Media enhancement kits of colored glass (black, blue, red, amber, clear & topaz) are designed to enhance the glass ember bed
- Optional designer fire art including Nickel Stix and Metal Coil
- On/off or thermostatic remote controls available
- Approved for bedrooms, bathrooms, bed sitting rooms and mobile homes
- Available in natural gas or propane (LP)

	CBHD4ST
BTU's (Input)	24,000
Venting	45° 5" & 8"
Glass Type	Tempered
Glass Size	
Height	28 1/2"
Width	35 1/2"
Efficiencies	
EnerGuide	67.9%
AFUE	66.98%
Steady State	69.3%
Mobile Home Certified	Yes



	A	B	C	D	E	F	G	H	I	J
BHD4ST/P	34 1/8"	38 1/4"	45"	8" DIA.	5" DIA.	2 1/8"	7 3/8"	7 1/8"	25 1/4"	12 1/8"

*Vent free not approved in Canada and some States. Figures may vary with individual conditions such as floor plan layout, insulation value/heat loss of the house and geographical location. Consult your owner's manual for complete and up-to-date installation instructions and proper clearances to combustible materials.



CBHD4P

Features & Benefits

- 2,484 sq. in. glass area
- Fuel saving electronic ignition with battery backup
- Choice between PHAZER® glowing logset or exclusive topaz glass ember bed
- Optional Newport™ panels or MIRRO-FLAME™ Porcelain Reflective Radiant Panels
- Media enhancement kits of colored glass (black, blue, red, amber, clear & topaz) are designed to enhance the glass ember bed
- Optional designer fire art including Nickel Stix and Metal Coil
- On/off or thermostatic remote controls available
- Approved for bedrooms, bathrooms, bed sitting rooms and mobile homes
- Available in natural gas or propane (LP)

		CBHD4P	
BTU's (Input)		24,000	
Venting		45° 5" & 8"	
Glass Type		Tempered	
Glass Size		Front/Back	End
Height		28 1/2"	27 1/8"
Width		35 1/2"	17"
Efficiencies			
EnerGuide		67.9%	
AFUE		66.98%	
Steady State		69.3%	
Mobile Home Certified		Yes	



BCDV36CFG

Features & Benefits

- 594 sq. in. glass area
- Fuel saving electronic ignition comes standard
- Clean face front with easy access compartment door
- Sparkling CRYSTALLINE™ ember bed comes standard
- LED light strip based on an RGB color spectrum transitions between colors or can be set to the color of your choice, including white
- MIRRO-FLAME™ Porcelain Reflective Radiant Panels come standard
- On/off or modulating remote controls available
- Optional decorative accessories including designer surrounds available
- Approved for bedrooms, bathrooms, bed sitting rooms and mobile homes
- Available in natural gas or propane (LP)

		BCDV36CFG	
BTU's (Input)		17,000	
Venting		Top or Rear 4" & 7"	
Glass Type		Tempered	
Glass Size			
Height		19"	
Width		31 1/4"	
Efficiencies			
EnerGuide		59.4%	
AFUE		53%	
Steady State		64%	
Mobile Home Certified		Yes	

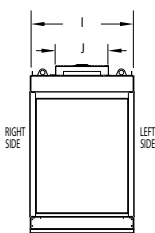
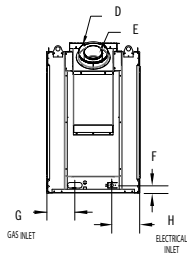
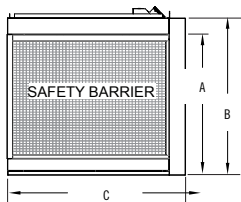


CWHD31

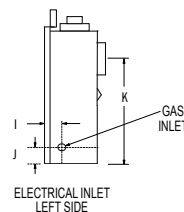
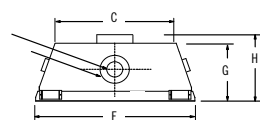
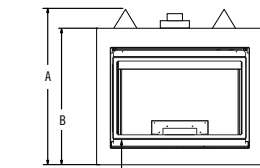
Features & Benefits

- 520 sq. in. glass area
- Clean, contemporary design
- Fuel saving electronic ignition with battery back-up
- Exclusive Topaz CRYSTALLINE™ ember bed
- 20" rigid venting included with unit
- Rectangular surrounds available in painted black and brushed stainless steel finishes
- Easily hangs on the wall and comes complete with wall mounting brackets (mounting screws not supplied)
- On/off or modulating remote controls available
- Optional LED light kit (two)
- Approved for bedrooms, bathrooms, bed sitting rooms and mobile homes
- Available in natural gas or propane (LP)

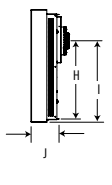
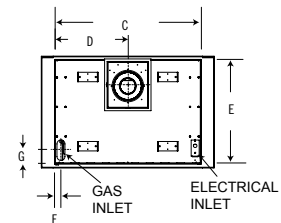
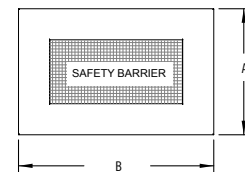
		CWHD31	
BTU's (Input)		20,000	
Venting		Rear 4" & 7"	
Glass Type		Ceramic	
Glass Size			
Height		16 1/2"	
Width		31 1/2"	
Efficiencies			
EnerGuide		65.2%	
AFUE		68.62%	
Steady State		68.9%	
Mobile Home Certified		Yes	



	A	B	C	D	E	F	G	H	I	J
BHD4ST/P	34 7/8"	38 1/4"	43 1/4"	8" DIA.	5" DIA.	2 1/4"	7 1/8"	7 1/8"	25 1/8"	12 1/8"



	A	B	C	D	E	F	G	H	I	J	K	L
BCDV36CFG	38 1/2"	34"	27"	4" DIA.	7" DIA.	40"	15"	17"	5 1/2"	3"	24 1/4"	33"



	A	B	C	D	E	F	G	H	I	J
CWHD31	28"	43 3/4"	36 3/4"	18 3/4"	27"	1 1/4"	3 1/4"	20 1/4"	20 1/4"	8 1/4"

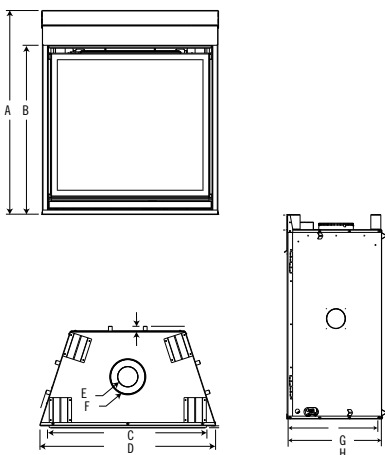


CHD35

Features & Benefits

- 879 sq. in. glass area
- 43% flame/heat adjustment for maximum comfort and efficiency
- Clean, contemporary design
- Fuel saving electronic ignition with battery back-up
- Exclusive PHAZER® glowing log set with charcoal and glowing embers
- Switch out your existing log set with the optional river rock media tray
- Unique firebox panels available
- Media enhancement kits of colored glass (black, blue, red & amber) are designed to enhance the river rock firebox base
- On/off or modulating remote controls available
- Approved for bedrooms, bathrooms, bed sitting rooms and mobile homes
- Available in natural gas or propane (LP)

	CHD35
BTU's (Input)	25,000
Venting	Top 4" & 7"
Glass Type	Tempered
Glass Size	
Height	28 1/8"
Width	31 1/4"
Efficiencies	
EnerGuide	63.3%
AFUE	64.4%
Steady State	82.1%
Mobile Home Certified	Yes



	A	B	C	D	E	F	G	H
CHD35	41"	33 3/4"	23"	35 1/4"	4" DIA.	7" DIA.	20"	20 1/4"

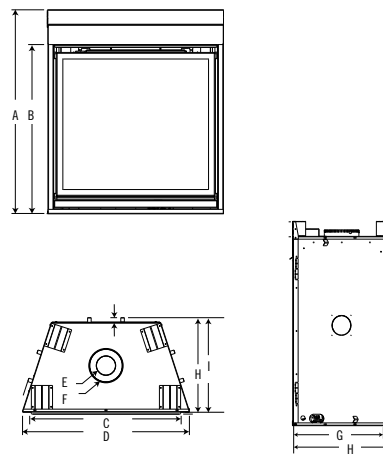


CHD40

Features & Benefits

- 1008 sq. in. glass area
- 43% flame/heat adjustment for maximum comfort and efficiency
- Clean, contemporary design
- Fuel saving electronic ignition with battery back-up
- Exclusive PHAZER® log set with charcoal and glowing embers
- Switch out your existing log set with the optional river rock media tray
- Unique firebox panels available
- Media enhancement kits of colored glass (black, blue, red & amber) are designed to enhance the river rock firebox base
- On/off or modulating remote controls available
- Approved for bedrooms, bathrooms, bed sitting rooms and mobile homes
- Available in natural gas or propane (LP)

	CHD40
BTU's (Input)	27,000
Venting	Top 4" & 7"
Glass Type	Tempered
Glass Size	
Height	28"
Width	36"
Efficiencies	
EnerGuide	64.3%
AFUE	65.6%
Steady State	76.3%
Mobile Home Certified	Yes



	A	B	C	D	E	F	G	H
CHD40	41"	33 3/4"	28"	40 1/4"	4" DIA.	7" DIA.	20"	20 1/4"

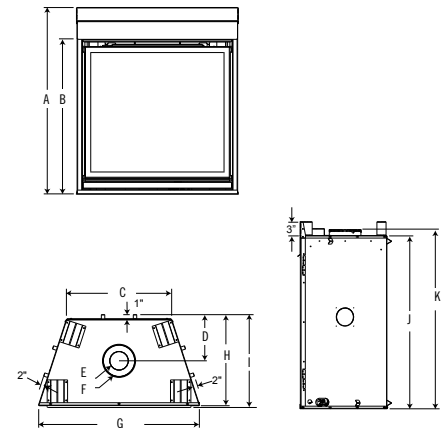


CHDX40-1

Features & Benefits

- 1008 sq. in. glass area
- 54% flame/heat adjustment for maximum comfort and efficiency
- Clean face design
- Fuel saving electronic ignition with battery back-up and built-in adjustable flame/heat control comes standard
- Exclusive NIGHT LIGHT™ feature comes standard
- Your choice of exquisite, fine detailed PHAZER® log set and charcoal embers or a stunning river rock media tray with satin chrome decorative fender
- Media enhancement kits of colored glass (black, blue, red & amber) are designed to enhance the river rock firebox base
- On/off or modulating remote controls available
- Approved for bedrooms, bathrooms, bed sitting rooms and mobile homes
- Available in natural gas or propane (LP)

	CHDX40-1
BTU's (Input)	40,000
Venting	Top 5" & 8"
Glass Type	Ceramic
Glass Size	
Height	28"
Width	36"
Efficiencies	
EnerGuide	56.6%
AFUE	59.5%
Steady State	61.5%
Mobile Home Certified	Yes



	A	B	C	D	E	F	G	H	I	J	K
CHDX40-1	41"	33 3/4"	28"	10 3/4"	5" DIA.	8" DIA.	40 1/4"	20"	20 1/2"	38"	39 1/4"

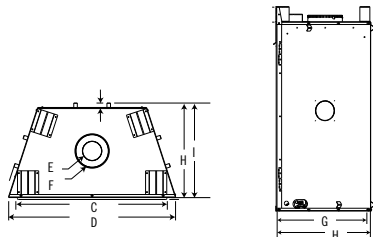
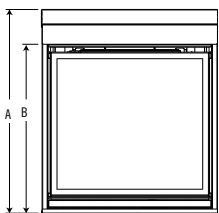


CHD46

Features & Benefits

- 1176 sq. in. glass area
- Up to 43% flame/heat adjustment for maximum comfort and efficiency
- Clean, contemporary design
- Fuel saving electronic ignition with battery back-up
- Exclusive PHAZER® log set with charcoal and glowing embers (comes with extra PHAZER® logs)
- Switch out your existing log set with the optional river rock media tray
- Unique firebox panels available
- Media enhancement kits of colored glass (black, blue, red & amber) are designed to enhance the river rock firebox base
- On/off or modulating remote controls available
- Approved for bedrooms, bathrooms, bed sitting rooms and mobile homes
- Available in natural gas or propane (LP)

	CHD46
BTU's (Input)	30,000
Venting	Top 4" & 7"
Glass Type	Tempered
Glass Size	
Height	28"
Width	42"
Efficiencies	
EnerGuide	65.1%
AFUE	67.7%
Steady State	79.2%
Mobile Home Certified	Yes



	A	B	C	D	E	F	G	H
CHD46	41"	33 3/4"	34"	36 1/4"	4" DIA.	7" DIA.	20"	20 1/2"

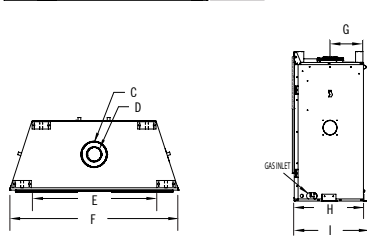
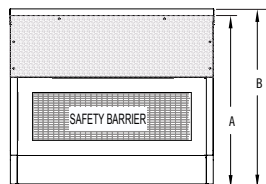


CLHD45

Features & Benefits

- 728 sq. in. glass area
- Clean, contemporary design
- Fuel saving electronic ignition with battery back-up comes standard
- Heat resistant glass radiates heat back into the room
- Power venting is available to allow for unique venting installations
- On/off or modulating remote controls available
- Optional basic, deluxe and premium four-sided surrounds come complete with safety screen
- Optional river rock media kit can be added to or replace the existing CRYSTALINE® embers
- Optional colored glass media enhancement kits are available
- Approved for bedrooms, bathrooms, bed sitting rooms and mobile homes
- Available in natural gas or propane (LP)

	CLHD45
BTU's (Input)	24,000
Venting	Top 4" & 7"
Glass Type	Tempered
Glass Size	
Height	17 13/16"
Width	40 7/8"
Efficiencies	
EnerGuide	52%
AFUE	-
Steady State	72%
Mobile Home Certified	Yes

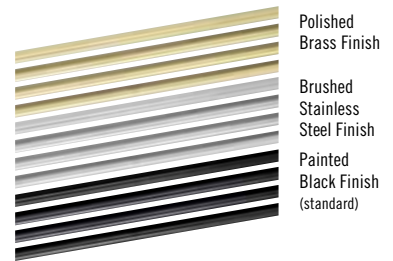


	A	B	C	D	E	F	G	H	I
CLHD45	39 3/4"	40 3/8"	7" DIA.	4" DIA.	34 1/2"	46 1/4"	10 1/4"	18 1/4"	19 1/4"

Accessories

Louver Overlays

Attach overlays to existing standard painted black louvers.



Bevelled Trim Kits

Available in 3" or 6".



Basic Four-Sided Frames



Deluxe Four-Sided Frames



Premium Surround



Cast Iron Surrounds



Andirons

Designed to simply stand in front of the logs and give the optimum masonry look and feel. They will fit directly in a bay window, bay front kit or rest inside the firebox. Available in Painted Black finish.



Accessories Cont... It's easy to update the look of your fireplace by simply changing the decorative accessories.

Decorative Surrounds



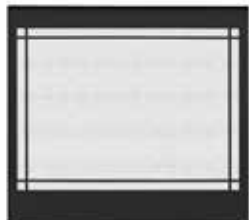
Convex Diamond
Dust Pewter
*BCDV36CFG



Rectangular Painted
Black Finish
*CWH31

Rectangular Brushed
Stainless Steel Finish
*CWH31

Contemporary Fronts



Painted Black
*CB Series

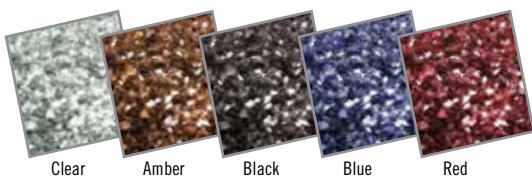
2" Trim Kit



Painted Black
*CB Series

Media Kits

For an exciting alternative you can fill your ember bed with sparkling colored glass.



Clear Amber Black Blue Red

Designer Fire Art

Nickel Stix add a unique look to the CHD4STG, reflections from over 100 nickel plated surfaces create a myriad of sparkling flame patterns throughout the firebox.



Nickel Stix



Metal Coil

Remote Controls

Remote with digital read out and modulating control give you the comfort level you need at the touch of a button.



Firebox Panel Options

Firebox panels add a masonry or a contemporary feel to your firebox.



Decorative
Sandstone Brick



Mayan Desert
Brick



Slate Brick



Newport™ Deluxe
Decorative Brick



Sandstone
Herringbone Brick



MIRRO-FLAME™ Porcelain
Reflective Radiant Panels

Ember beds



Switch out existing logs to a more contemporary setting with the optional river rock media kit. Available in grey or multi-colored finishes.

River rock media tray with satin chrome decorative fender comes complete with sand. Available for the CHD35/40/46 & CHDX40.



Driftwood logs available as an optional ember bed on the CLHD45.

	CB30	CB35	CB36	CX36	CB42	CBHD4	CVF36	BCDV36CFG	CVF42	CWH31	CHD35	CHD40	CHDX40	CHD46	CLHD45
Electronic Ignition						S	-	S	-	S	S	S	S	S	S
Louver Overlays - Available in Polished Brass & Brushed Stainless Steel finishes						-	0	-	-	-	-	-	-	-	-
Four-Sided Frames						-	-	-	-	-	0	0	0	0	0
3" Bevelled Trim						-	0	-	-	-	-	-	-	-	-
6" Bevelled Trim						-	0	-	-	-	-	-	-	-	-
Cast Iron Surrounds						-	0	-	-	-	-	-	-	-	-
Decorative Surrounds						0	-	0	-	0	-	-	-	-	0
MIRRO-FLAME™ Porcelain Reflective Radiant Panels						0	0	S	0	-	0	0	0	0	0
Mayan Desert Brick Panels	-	-	-	-	-	-	-	-	-	-	-	-	0	-	-
Sandstone Herringbone Brick Panels						-	-	-	-	-	-	-	-	-	-
Sandstone Decorative Brick Panels						-	0	-	0	-	0	0	0	0	-
Newport™ Deluxe Decorative Brick Panels	-	-	-	-	-	-	-	-	-	-	-	-	0	-	-
Faceplate / Door Kit						-	-	-	-	-	-	-	0	-	-
Colored Glass Media or Media Enhancement Kits - Available in clear, amber, black, blue & red						0	-	0	-	0	0	0	0	0	-
Grey or multi-colored River Rock Media Kits						-	-	-	-	-	0	0	0	0	-
Driftwood Log Set	-	-	-	-	-	-	-	-	-	-	-	-	-	-	0
Safety Screen	S	S	S	S	S	S	S	0	S	0	S	S	S	S	S
Andirons Painted Black finish						-	0	-	0	-	0*	0*	0*	0*	-
Blower / Fan Kit						-	0	0	0	-	0	0	0	0	0
Millivolt Wall Thermostat						0	0	0	0	0	0	0	0	0	0
On/off or Modulating Remote Controls						0	0	0	0	0	0	0	0	0	0
Hot Air Distribution / Exhaust Kit						-	-	0	-	-	0	0	0	0	0
5 Year Warranty	S	S	S	S	S	S	S	S	S	S	S	S	S	S	S

- = Not Available 0= Optional S= Standard *Decorative Surrounds require modified fireplace clearances, can only be used on top exit installations



QUALITY PROMISE

All Continental® products are built to the strictest quality standards and only the highest grade materials are used. The computerized production processes, pride in workmanship and serious commitment to our achieved ISO9001-2008 certification, ensure many years of dependable performance.

VERSATILE INSTALLATION

Install in your home above or below grade, in any room even in bedrooms, bathrooms and kitchens. Direct vent models can be vented up to 20 feet horizontally through a wall, 40 feet vertically through the roof or below grade with a periscope. For all direct vent fireplaces we offer the smallest, architecturally pleasing vent terminal in the industry.

MAXIMUM EFFICIENCY

Our sealed combustion technology in our direct vent models uses outside air for combustion eliminating heat loss and cold drafts associated with conventional fireplaces. All Continental® models are designed to maximize efficiency levels with special heat retaining components.

CONVENIENCE

If all the conveniences of gas fireplaces aren't enough, enjoy full relaxation with Continental's remote controls. Available with an easy-to-read backlit digital readout of the room temperature and includes a child proof safety lock.

A RELIABLE ECONOMICAL HEATING SOURCE

Continental® products can save home heating costs by as much as 30% (Zone Heating by heating the rooms you use most) and provide reliable heat during power failures. No power? No problem! Continental's built-in millivolt system or electronic ignition with battery back-up requires no electricity to light or operate.

SAFETY FEATURES

100% SAFE GUARD™ gas control system automatically and quickly shuts off the gas supply for your peace of mind.

HEAT TRANSFERRING CERAMIC GLASS

Ceramic glass provides an excellent temperature transfer allowing maximum heat to radiate into the room. Some models use heat resistant tempered glass.

REALISTIC CERAMIC FIBRE LOGS

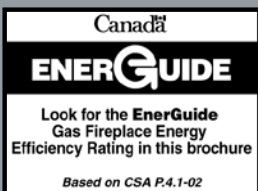
Continental's configuration of realistic logs create a cozy and natural wood burning atmosphere.

RELIABLE BURNER SYSTEM & ADJUSTABLE FLAME

Our advanced YELLOW DANCING FLAMES™ provide maximum heat and flame pattern. For less heat, simply reduce the input with the built-in flame/heat adjustment for maximum comfort and efficiency.

ENVIRONMENTALLY FRIENDLY

Clean burning, convenient natural gas or propane provides an environmentally safe energy source - indoors and outdoors. Continental® products are designed to provide an environmentally friendly energy source.



ENERGUIDE - A Canadian efficiency standard based on frequent, short start-up and cool-down cycles. All appliances sold in Canada are subject to this EnerGuide rating system. AFUE - A US efficiency standard (Department of Energy) based on extended on/off cycles, more typical of fireplace usage. STEADY STATE - Reflects the highest possible overall heating efficiency. Years of research, design and testing have enhanced optimum performance allowing Continental® products to achieve some of the highest heater rating efficiencies on the market. Our products continuously surpass industry standards not only in appearance but in efficiency and performance.

Consult your owner's manual for complete installation instructions, accurate framing dimensions and proper clearances to combustible materials. Installations shown may not be accurate to code. Check all local and national building codes and gas regulations. Products may not be exactly as shown. Flame height and activity is influenced by varying vent configurations and may not appear as shown. All specifications are subject to change without prior notice due to on-going product improvements. BTU's listed in brochure reflect natural gas applications. Continental® is a registered trademark of Wolf Steel Ltd. © Wolf Steel Ltd.



- 103 Miller Drive, Crittenden, Kentucky, USA 41030
- 24 Napoleon Road, Barrie, Ontario, Canada L4M 0G8
- 7200 Trans Canada Highway, Montreal, Quebec, Canada H4T 1A3

Tel: (705) 721-1212 Fax: (705) 722-6031
continentalfireplaces.com



Authorized Dealer

